

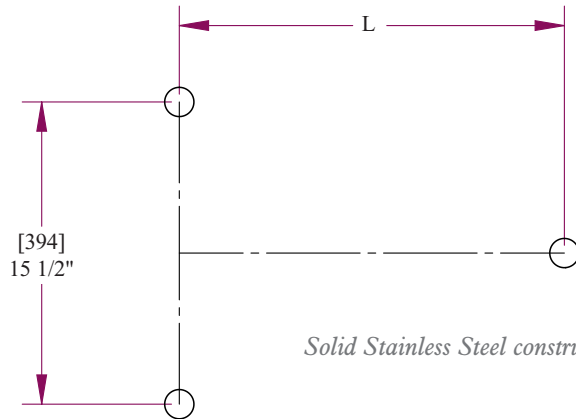
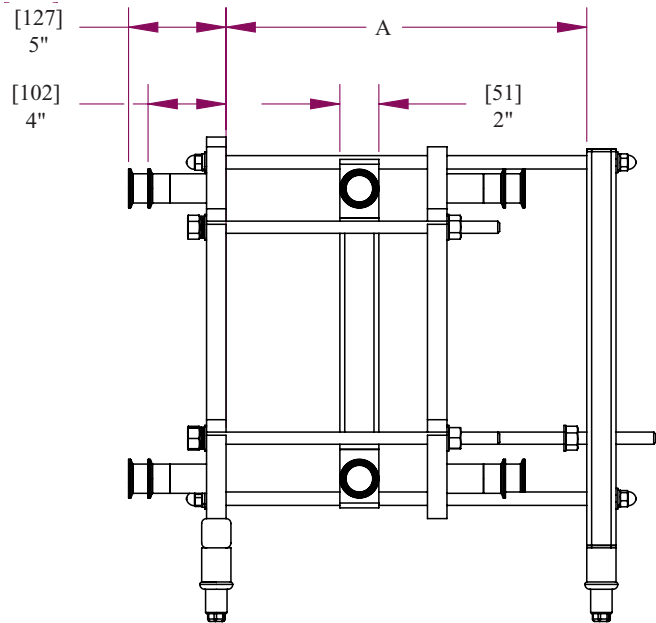
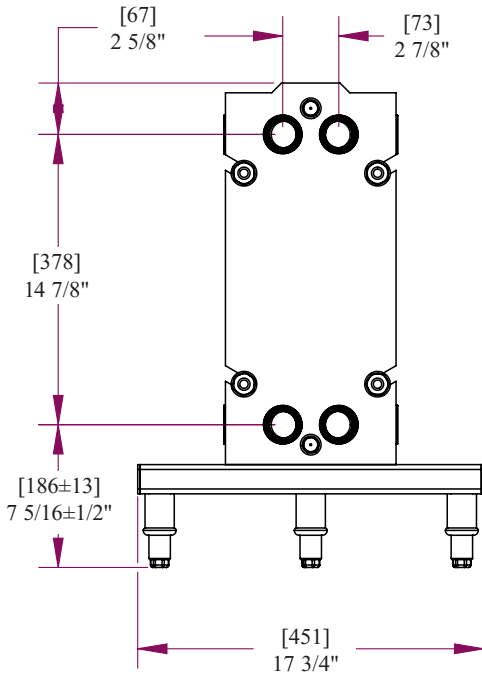


AGC™
HEAT TRANSFER

041-S

PLATE HEAT EXCHANGER FRAME

"Building the best, servicing the rest"™



Solid Stainless Steel construction

FRAME SIZE	FOOT CENTERS [L]	RAIL LENGTH [A]	PLATE CAPACITY
1	19 1/4" [489]	18" [457]	50
2	31 1/4" [794]	30" [762]	130
3	43 1/4" [1099]	42" [1067]	210

Dimensions not to be used for construction

GENERAL INFORMATION

Plate and Gasket Weight:	0.66 lbs / .30 kg
Plate Capacity:	0.02 US Gallons / .08 L
Heat Transfer Area:	0.44 ft ² / .040 m ²
Plate Thickness:	0.6mm
Frame Weight: (according to size)	110 - 130 lbs / 50 - 59 kg
Standard Frame Connections:	1 1/4" NPT or Flange
Terminal Connections:	1 1/2" Sanitary Clamp
Terminal Weight:	10 lbs / 4.53 kg



This drawing is the confidential property of AGC HEAT TRANSFER and it must not be reproduced in any form without written consent



Western
9109 SE 64th Ave.
Portland, OR 97206
503.774.7342
800.715.8820
FAX 503.774.2550

Central
1325 Remington Rd.
Suite T
Schaumburg, IL 60173
847.301.6890
FAX 503.774.2550

Eastern
10129 Piper Lane
Bristow, VA 20136
703.257.1660
800.825.8820
FAX 703.330.7940



AMERICAN MADE

proflow sanitary
S E R I E S