



PRO2-SA

PLATE HEAT EXCHANGER FRAME



QUALITY

- + Manufactured to 3-A sanitary standards
- + Made in the USA
- + Operating Pressure:
290 psi [20 bar] PED std.
200 psi [14 bar] ASME std.

DEPENDABILITY

- + Six tie-bolt closure
- + 304 SS clad with sanitary bead blast finish and 316 SS wetted surfaces

EXPANDABILITY

- + Removable ports - no welding required
- + Terminals available to safely separate multiple sections
- + 304 SS terminals with sanitary bead blast finish and 316 SS wetted surfaces

PLATES

- + Line-contact support points to increase the life of the plate
- + Increased entrance area cross-section to decrease pressure loss
- + Solid metal-to-metal contact to allow high operational pressures
- + Snap-in gasket

**BUILDING
THE BEST.
SERVICING
THE REST.**



WESTERN

3109 NE 230th Avenue
Fairview, OR 97024
+1.503.774.7342
+1.800.715.8820
FAX +1.503.774.2550

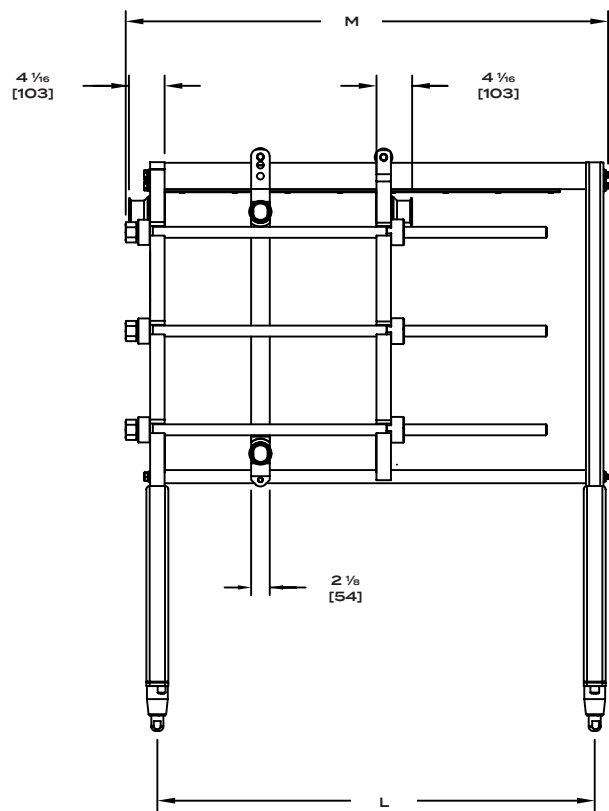
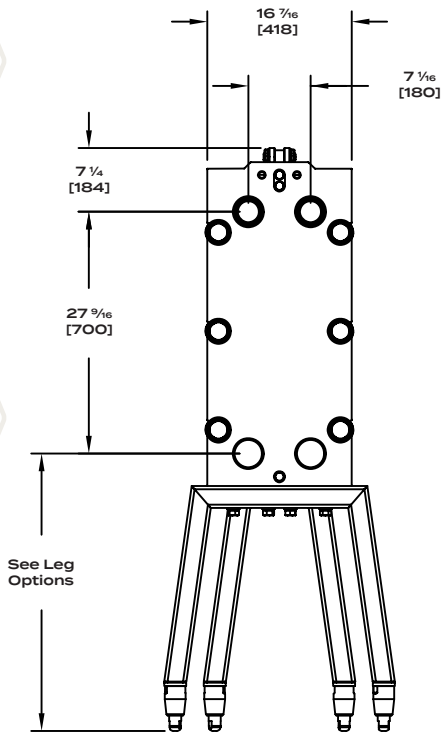
MIDWEST

8400 Lakeview Parkway
Suite 700
Pleasant Prairie, WI 53158
+1.847.301.6890
+1.888.489.8820

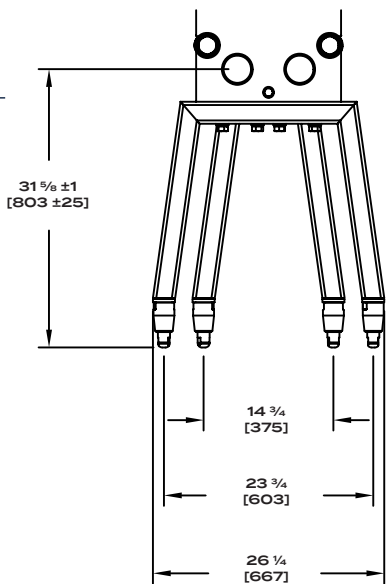
EASTERN

10129 Piper Lane
Bristow, VA 20136
+1.703.257.1660
+1.800.825.8820
FAX +1.703.330.7940

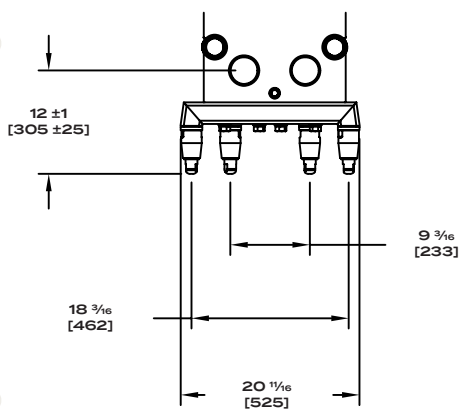
See us on the web at www.AGCHeatTransfer.com



LEG OPTIONS



PRO2-SA H LEG



PRO2-SA L LEG



© AGC Heat Transfer
Not to be reproduced without consent

FRAME SIZE	BALL FOOT CENTER (L)	OVERALL LENGTH (M)	Pro2™ PLATE CAPACITY	Pro2Plus™ PLATE CAPACITY
2	25 13/16" [656]	31" [787]	45	67
3	37 13/16" [960]	43" [1092]	97	143
4	49 13/16" [1265]	55" [1397]	149	220
5	61 13/16" [1570]	67" [1702]	200	296
6	73 13/16" [1875]	79" [2007]	252	373
7	85 13/16" [2180]	91" [2311]	304	449

GENERAL INFORMATION

	Pro2™	Pro2Plus™
Plate & Gasket Weight		
316 SS	3.5 lbs / 1.59 kg	2.6 lbs / 1.18 kg
Alloy C-276	3.2 lbs / 1.45 kg	
Plate Capacity	0.16 US Gallons / 0.61 l	0.12 US Gallons / 0.45 l
Heat Transfer Area	1.87 ft² / 0.17 m²	1.87 ft² / 0.17 m²
Plate Thickness		
316 SS	0.7 mm	0.6 mm
Alloy C-276	0.6 mm	
Frame Weight (according to size)	701 - 803 lbs / 318 - 364 kg	
Frame Connections	2 1/2" Sanitary Clamp	
Terminal Connections	2" Sanitary Clamp	
Terminal Weight	95 lbs / 43 kg	