



**AGC™**  
**HEAT TRANSFER**

# ACCESSORIES

THE FATBOY WRENCH / LEATHER GLOVES

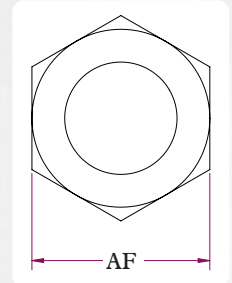
*"Building the best, servicing the rest"™*

## The FATBOY™ Wrench

### WRENCH SIZES

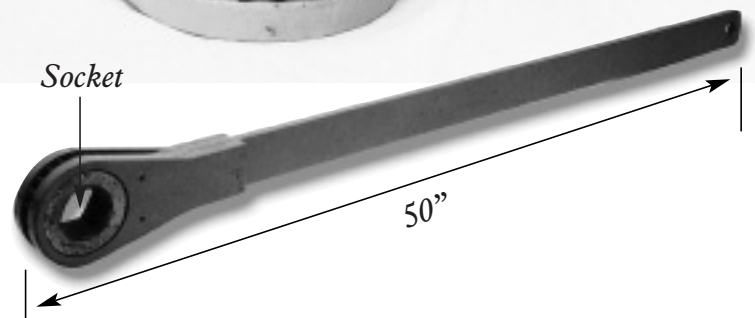
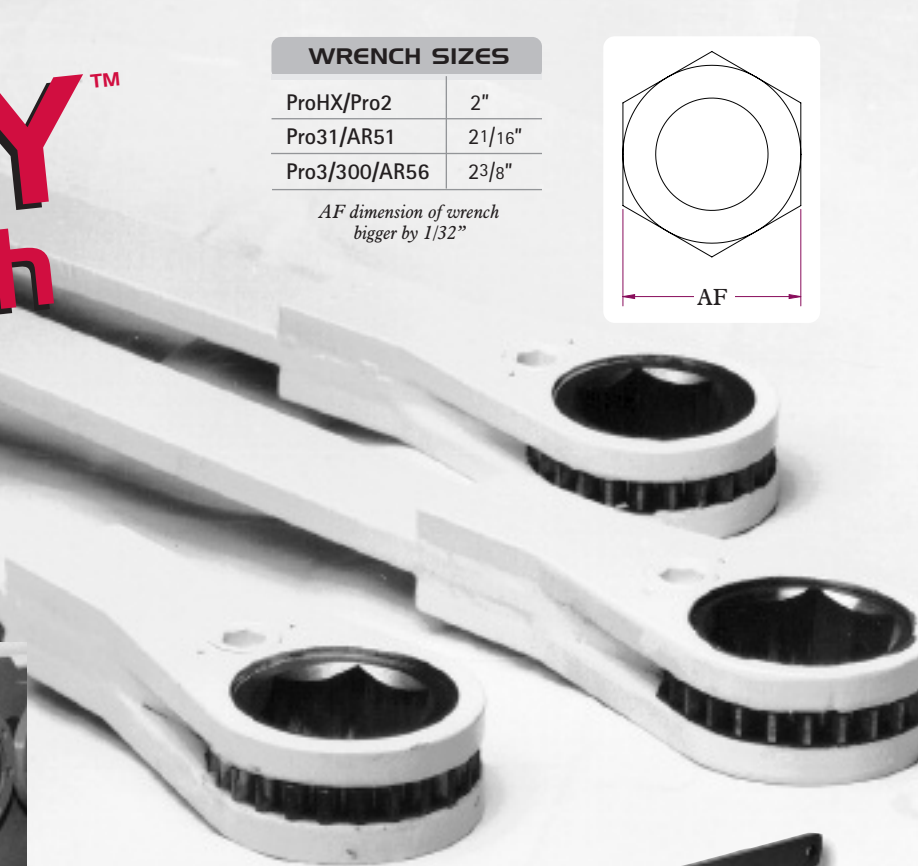
ProHX/Pro2	2"
Pro31/AR51	21/16"
Pro3/300/AR56	23/8"

*AF dimension of wrench bigger by 1/32"*



### FatBoy™ Wrench

Heavy-duty wrench is designed for use with all makes and models of plate heat exchangers. The Fatboy™ is made in the USA of high quality steel and powder coated for years of reliable service. State distance across flats of nuts (AF-see above) when ordering.



### AGC Leather Gloves

**Protect your hands from cuts!**  
These gloves are perfect for handling plates or tightening units. Shoulder leather gloves feature a white canvas back and washable white duck cuff. 2 1/2" safety cuff.



#### Western

9109 SE 64th Ave.  
Portland, OR 97206  
503.774.7342  
800.715.8820  
FAX 503.774.2550

#### Central

1325 Remington Rd.  
Suite T  
Schaumburg, IL 60173  
847.301.6890  
FAX 503.774.2550

#### Eastern

10129 Piper Lane  
Bristow, VA 20136  
703.257.1660  
800.825.8820  
FAX 703.330.7940

See us on the web at [www.AGCHeatTransfer.com](http://www.AGCHeatTransfer.com)

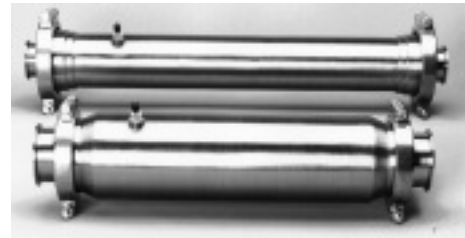


AMERICAN MADE

**proflow** sanitary  
SERIES

**Accessories**

# ACCESSORIES



Model PD2 and PD3 Silencer™

## AGC Pulsation Dampener Liners

Genuine AGC replacement liners for the Silencer™ and the APV “condom” style pulsation dampeners. Please specify type and size when ordering.



## Special 1099 Plate Gasket Glue

This glue is the standard contact cement used for gluing plate heat exchanger gaskets to plates. Available in tubes or quarts with application bottles as required.



### Western

9109 SE 64th Ave. • Portland, OR 97206  
503.774.7342 • 800.715.8820 • FAX 503.774.2550

### Central

1325 Remington Rd. • Ste T • Schaumburg, IL 60173  
847.301.6890 • FAX 503.774.2550

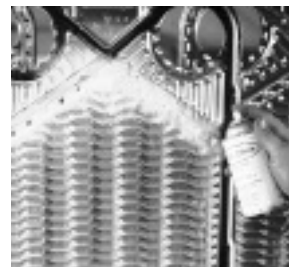
### Eastern

10129 Piper Lane • Bristow, VA 20136  
703.257.1660 • 800.825.8820 • FAX 703.330.7940



## AGC Speciality Inspection Dies

RED and WHITE Visible Inspection Fluid — Designed to check for pinholes in plate heat exchanger plates. The spray comes in two parts. Part one is the red penetrant and part two is the white developer. Normally used for checking small numbers of plates in the field. Normal usage is two parts white (developer) to one part red (penetrant).



## FOOD GRADE INHIBITED CIRCULATE DYE

This specially developed liquid concentrate comes in 1/2 gallon quantities. For use by trained personal to circulate in series through the plate and open to visually inspect for pinholes. Normal usage is 1/2 gallon per 100 gallons or two 1/2 gallons per typical HTST Pasteurizer.



AMERICAN MADE

sanitary  
**proflow**  
series

See us on the web at  
[www.AGCHeatTransfer.com](http://www.AGCHeatTransfer.com)