



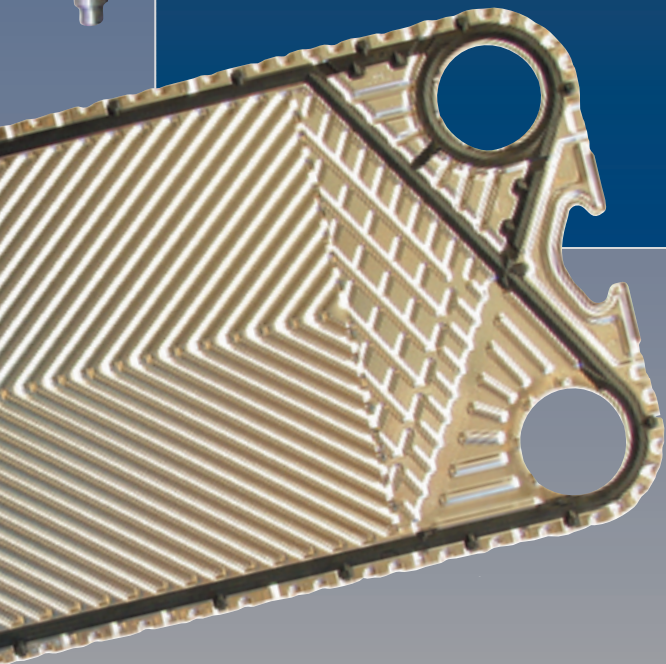
PRO31-H

PLATE HEAT EXCHANGER FRAME

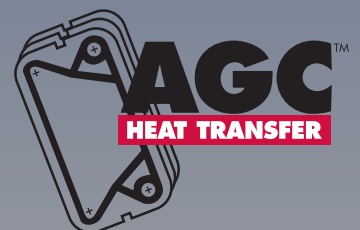
"Building the best, servicing the rest"™



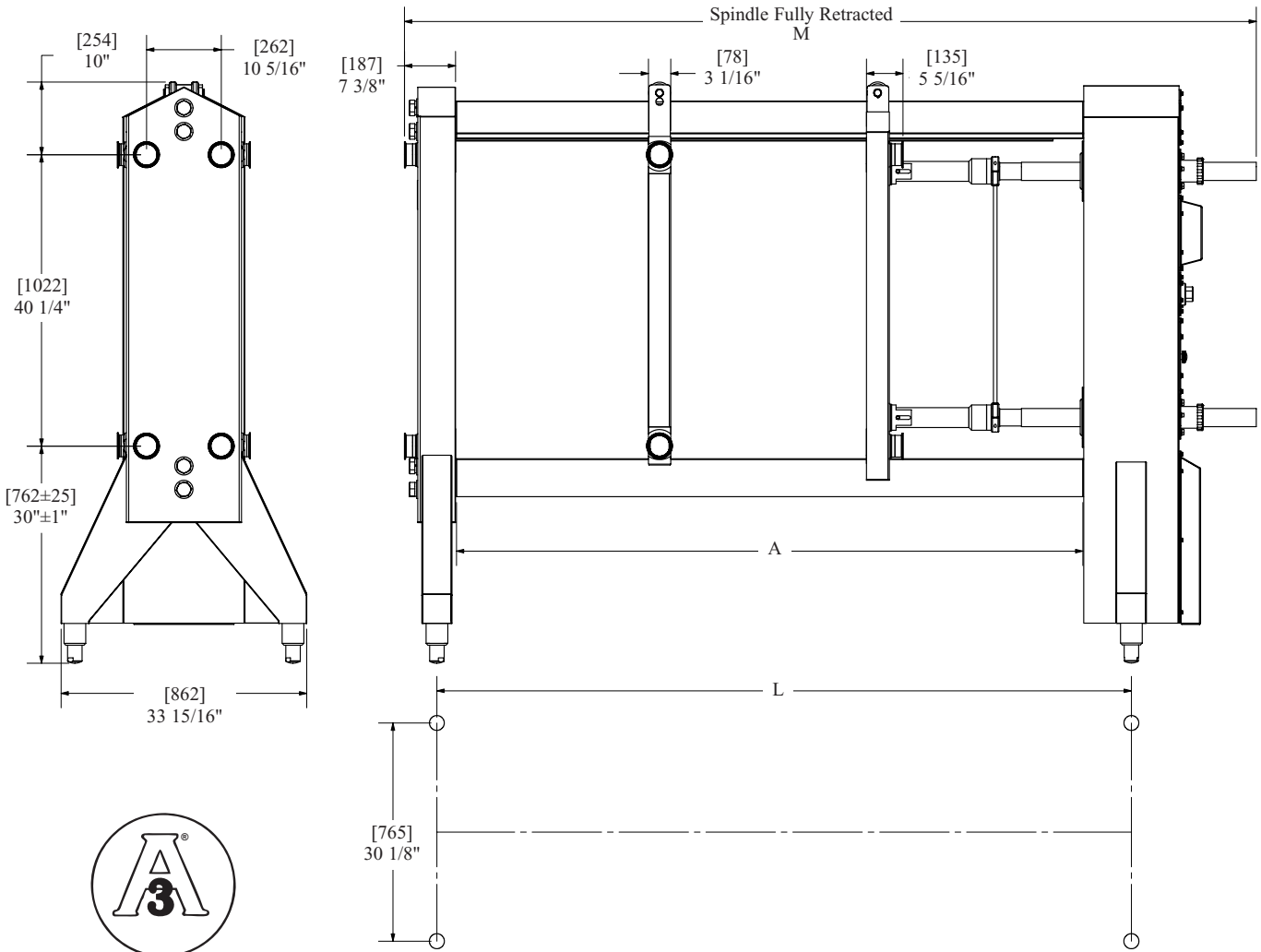
- Consistent with the PRO31-M with the added benefit of self-contained hydraulic closure.
- Compact design for trouble free opening and closing of unit.



Improved Entrance Area



PRO31-H



This drawing is the confidential property of AGC HEAT TRANSFER and it must not be reproduced in any form without written consent

GENERAL INFORMATION

Plate and Gasket Weight:	5.8 lbs 316 S.S. / 2.63 kg 3.1 lbs Titanium / 1.40 kg
Plate Capacity:	0.32 US Gallons / 1.21 liter
Heat Transfer Area:	3.75 ft ² / 0.348 m ²
Plate Thickness:	0.7 mm 316 S.S. 0.6 mm Titanium
Frame Weight: (according to size)	3450 - 3970 lbs / 1565-1801 kg
Standard Frame Connections:	3" Sanitary Clamp
Terminal Connections:	3" Sanitary Clamp
Terminal Weight:	275 lbs / 145kg

FRAME SIZE	BALL FOOT CENTERS [L]	RAIL LENGTH [A]	FULLY OPEN [M]
1	55 ⁵ / ₈ " [1413]	46 ¹ / ₂ " [1181]	88 ¹ / ₂ " [2248]
2	68 ⁵ / ₈ " [1737]	59 ¹ / ₂ " [1511]	101 ¹ / ₂ " [2578]
3	79 ³ / ₈ " [2016]	70 ¹ / ₄ " [1784]	112 ¹ / ₄ " [2851]
4	88 ³ / ₈ " [2245]	79 ¹ / ₄ " [2013]	121 ¹ / ₄ " [3080]
5	95 ⁷ / ₈ " [2435]	86 ³ / ₄ " [2203]	128 ³ / ₄ " [3270]
6	102 ¹ / ₂ " [2604]	93 ³ / ₈ " [2372]	135 ³ / ₈ " [3439]
7	109 ¹ / ₈ " [2772]	100" [2540]	142" [3607]
8	114 ⁵ / ₈ " [2911]	105 ¹ / ₂ " [2680]	147 ¹ / ₂ " [3747]
9	120 ¹ / ₈ " [3051]	111" [2819]	153" [4061]
10	129 ¹ / ₈ " [3280]	120" [3048]	162" [4115]
11	139 ¹ / ₈ " [3534]	130" [3302]	172" [4369]

Dimensions not to be used for construction



Western
9109 SE 64th Ave.
Portland, OR 97206
503.774.7342
800.715.8820
FAX 503.774.2550

Central
1325 Remington Rd.
Suite T
Schaumburg, IL 60173
847.301.6890
FAX 503.774.2550

Eastern
10129 Piper Lane
Bristow, VA 20136
703.257.1660
800.825.8820
FAX 703.330.7940



AMERICAN
MADE

proflow sanitary
S E R I E S