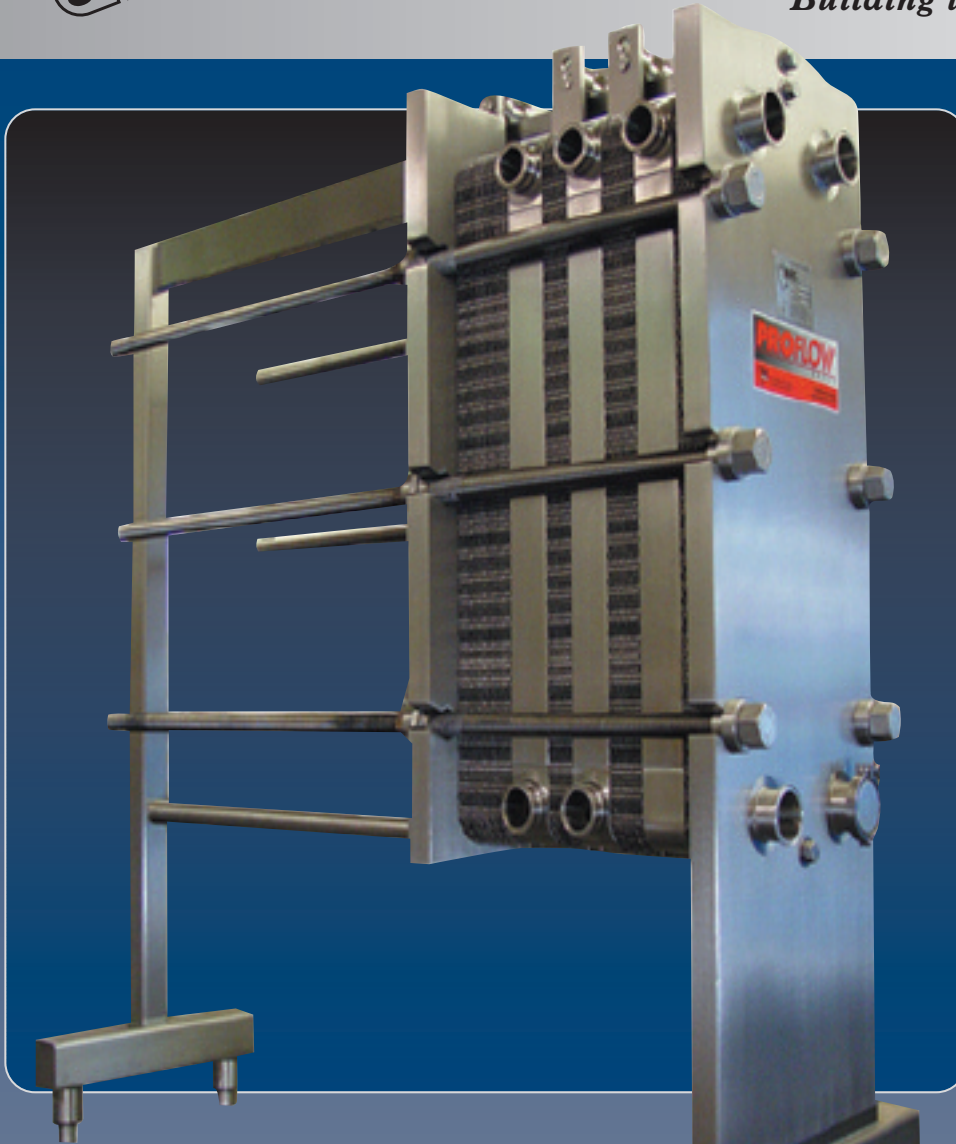




PRO3-S

PLATE HEAT EXCHANGER FRAME

"Building the best, servicing the rest"™



QUALITY

- Skillfully crafted to 3A sanitary standards.
- Operating pressures up to 200 psig [14 bar].
- Made in the USA.

DEPENDABILITY

- Stainless steel clad design polished to a consistent #4 finish.
- Oversized tie bolts for easy open/close operation.
- Built for full wash-down environment.

RELIABILITY

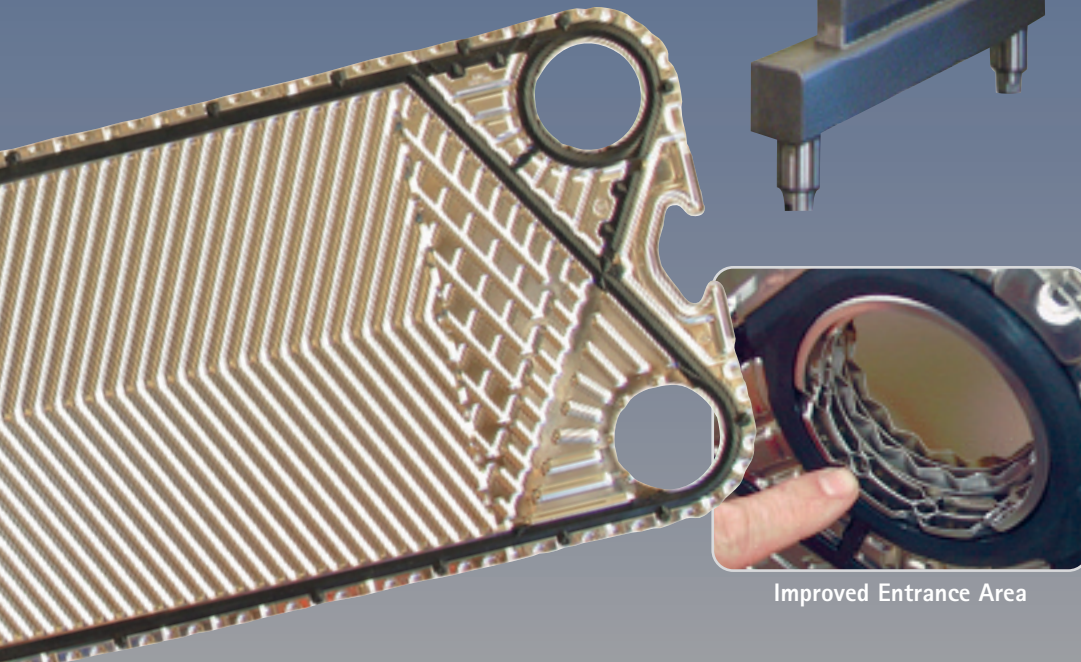
- Heavy 14 gauge stainless steel clad material for long life.
- Strong internal solid steel plate - rugged and proven design.
- Enclosed tie bolt bearings.

EXPANDABILITY

- Frames supplied for plate expandability.
- All eight ports supplied as standard for future duty expansions.
- Terminals available to safely separate heating, cooling or regeneration sections.

PLATES

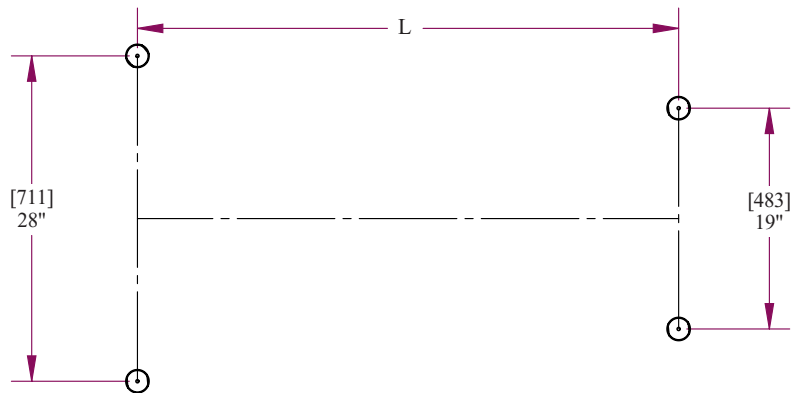
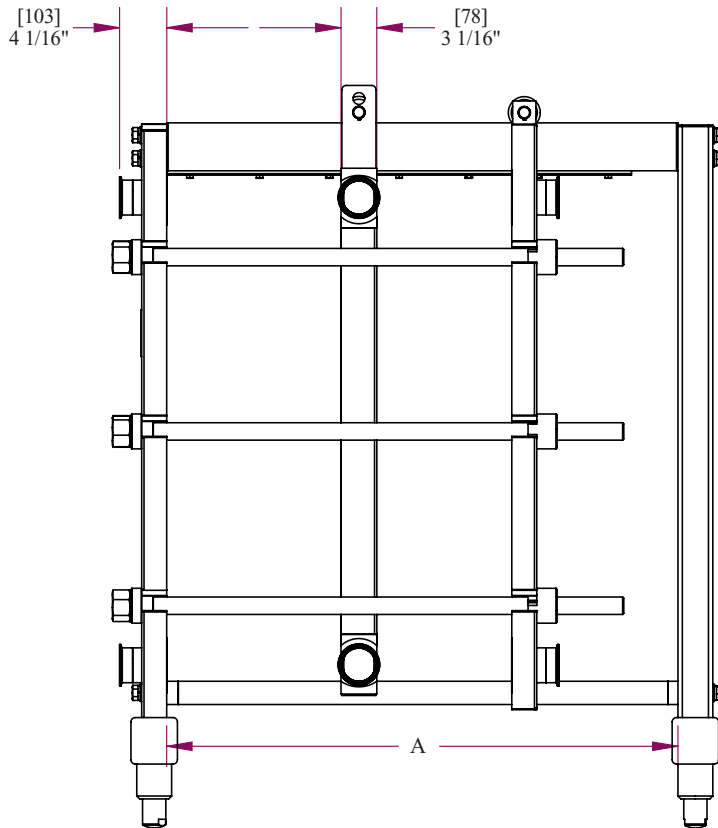
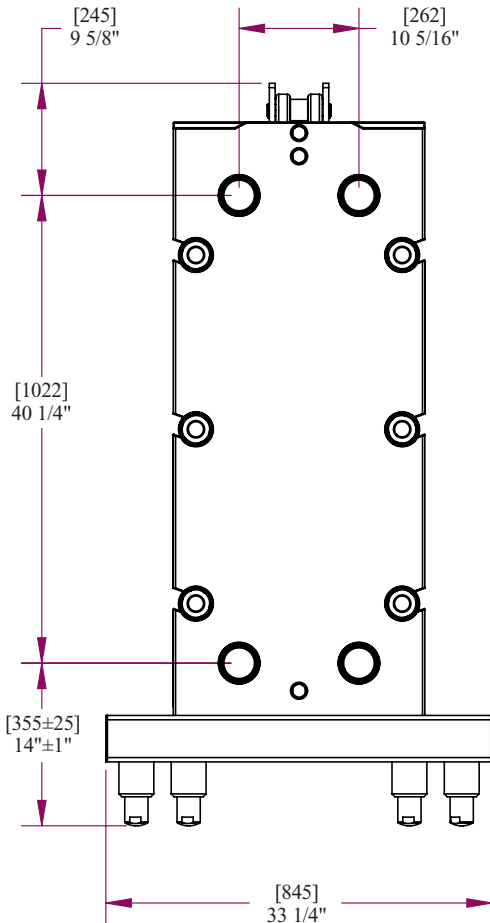
- Pro3 plates measure 45³/₈" x 15⁷/₁₆" [1153 x 392 mm] - Made in the USA.
- Made of a heavy 0.7mm thick, 316 stainless steel with a high quality sanitary finish.
- Features an improved heat transfer pattern and a wide gap to resist fouling.
- Line-contact support points to increase the life of the plate.
- Increased entrance area cross-section to decrease pressure loss.
- Solid metal-to-metal contact to allow high operational pressures.



Improved Entrance Area



PRO3-S



This drawing is the confidential property of AGC HEAT TRANSFER and it must not be reproduced in any form without written consent

GENERAL INFORMATION

Plate and Gasket Weight:	5.8 lbs 316 S.S. / 2.63 kg 3.1 lbs Titanium / 1.40 kg
Plate Capacity:	0.32 US Gallons / 1.21 l
Heat Transfer Area:	3.75 ft ² / 348 m ²
Plate Thickness:	0.7 mm 316 S.S. 0.6 mm Titanium
Frame Weight: (according to size)	1650-2025 lbs / 689-853 kg
Standard Frame Connections:	3" Sanitary Clamp
Terminal Connections:	3" Sanitary Clamp
Terminal Weight:	275 lbs / 145 kg

FRAME SIZE	FOOT CENTERS [L]	RAIL LENGTH [A]	PLATE CAPACITY
1	46 ⁹ / ₁₆ " [1118]	44" [1118]	119
2	69 ⁹ / ₁₆ " [1720]	67" [1702]	223
3	93 ⁹ / ₁₆ " [2311]	91" [2311]	331
4	117 ⁹ / ₁₆ " [2921]	115" [2921]	439

Dimensions not to be used for construction



Western
9109 SE 64th Ave.
Portland, OR 97206
503.774.7342
800.715.8820
FAX 503.774.2550

Central
1325 Remington Rd.
Suite T
Schaumburg, IL 60173
847.301.6890
FAX 503.774.2550

Eastern
10129 Piper Lane
Bristow, VA 20136
703.257.1660
800.825.8820
FAX 703.330.7940

