



# AR56-SH

## PLATE HEAT EXCHANGER FRAME

*"Building the best, servicing the rest"™*



### QUALITY

- Skillfully crafted to 3A sanitary standards.
- Operating pressures up to 200 psig [14 bar].
- Made in the USA.

### DEPENDABILITY

- Stainless steel clad design polished to a consistent #4 finish.
- Oversized tie bolts for easy open/close operation.
- Built for full sanitary wash-down environment.

### RELIABILITY

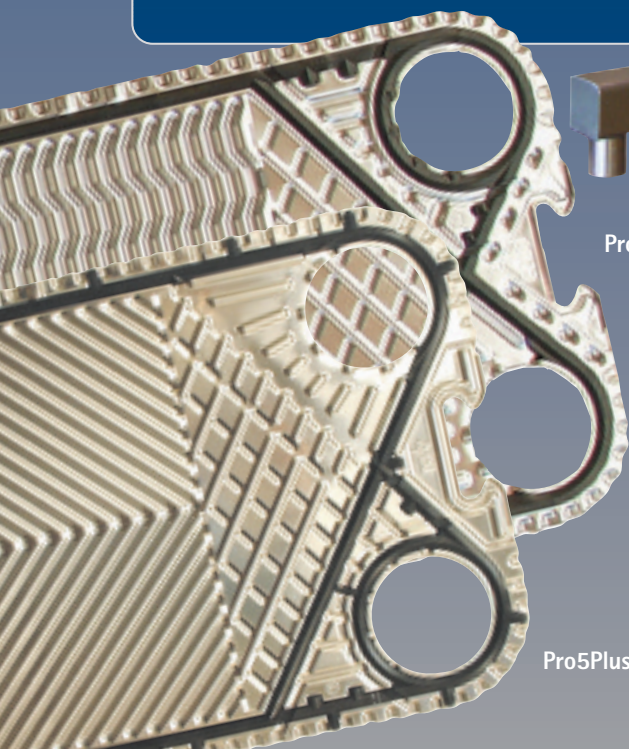
- Heavy 14 gauge stainless steel clad material for long life.
- Strong internal solid steel plate - rugged and proven design.
- Enclosed tie bolt bearings.

### EXPANDABILITY

- Frames supplied for plate expandability.
- All eight ports supplied as standard for future duty expansions.
- Terminals available to safely separate heating, cooling or regeneration sections.

### PLATES

- Pro5 or Pro5Plus plates measure 61<sup>1</sup>/<sub>4</sub>" x 16<sup>3</sup>/<sub>8</sub>" [1556 x 416 mm] - Made in the USA.
- Made of a heavy 0.9mm (Pro5) or 0.7mm (Pro5Plus) thick, 316 stainless steel with a high quality sanitary finish.
- Features an improved heat transfer pattern and a wide gap to resist fouling.
- Line-contact support points to increase the life of the plate.
- Increased entrance area cross-section to decrease pressure loss.
- Solid metal-to-metal contact to allow high operational pressures.



Pro5

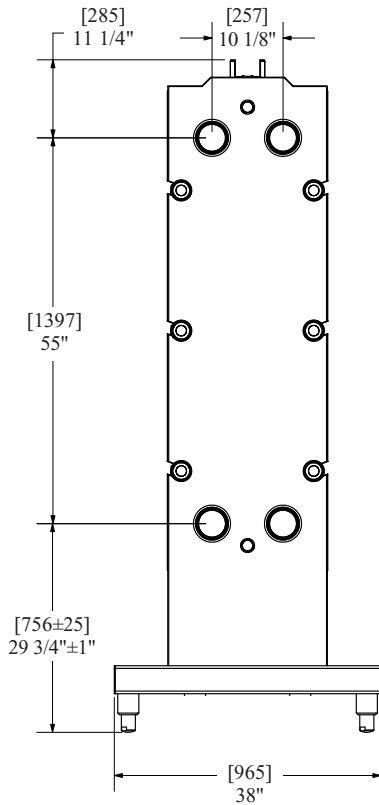
Pro5Plus



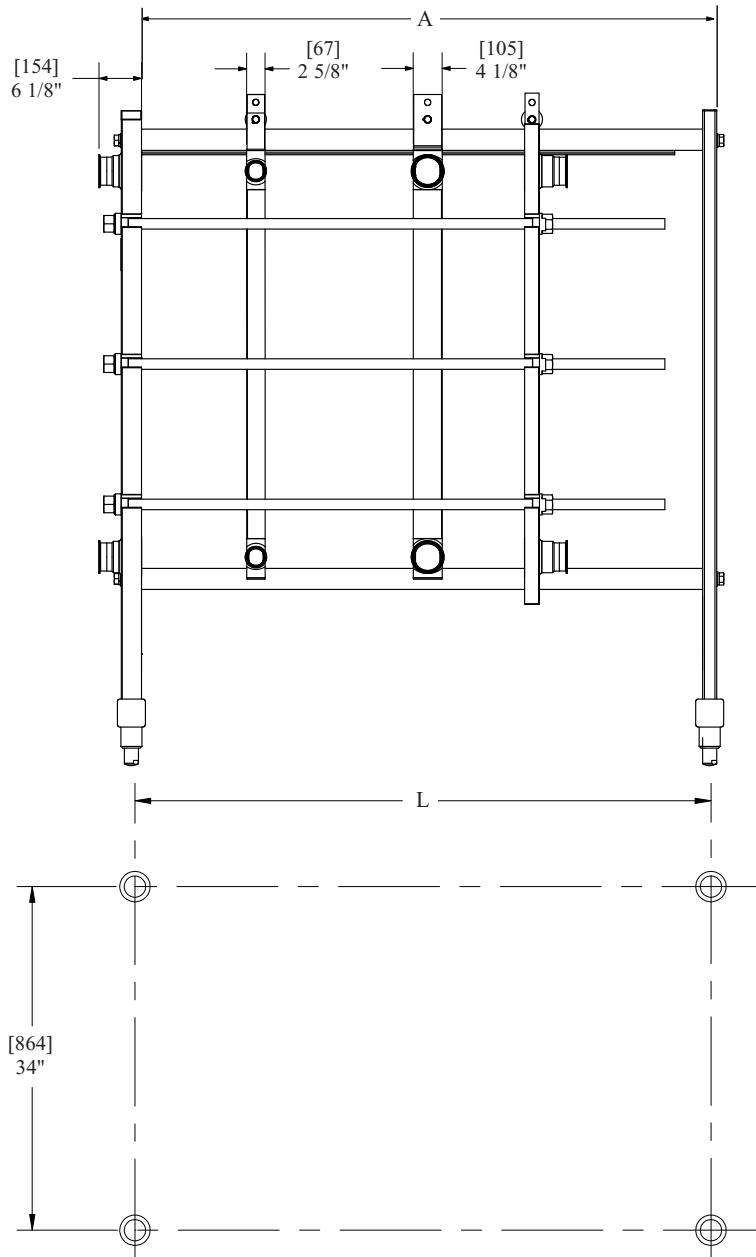
Improved Entrance Area



# AR56-SH



*This drawing is the confidential property of AGC HEAT TRANSFER and it must not be reproduced in any form without written consent*



## GENERAL INFORMATION

	PRO5	PRO5PLUS
Plate and Gasket Weight:	11.25 lbs/5.10 kg	8 lbs/3.62 kg 5 lbs Titanium/2.27 kg
Plate Capacity:	0.72 US Gallons/2.72l	0.45 US Gallons/1.70l
Heat Transfer Area:	5.6 ft <sup>2</sup> /0.52 m <sup>2</sup>	5.6 ft <sup>2</sup> /0.48 m <sup>2</sup>
Plate Thickness:	0.9mm 316 S.S.	0.7mm 316 S.S. 0.6mm Titanium
Frame Weight: (according to size)	2800-3700 lbs/ 1270-1678 kg	
Standard Frame Connections:	4" Sanitary Clamp	
Terminal Connections:	2 1/2" or 4" Sanitary Clamp	
Terminal Weight: (standard or wide)	310-430 lbs / 141-195 kg	

FRAME SIZE	BALL FOOT CENTERS [L]	RAIL LENGTH [A]	PRO5 PLATE CAPACITY	PRO5PLUS PLATE CAPACITY
1	38 1/2" [978]	36" [914]	55	75
2	57 1/2" [1461]	55" [1397]	120	160
3	82 1/2" [2096]	80" [2032]	200	270
4	97 1/2" [2477]	95" [2413]	255	330
5	119 1/2" [3035]	116" [2946]	330	420
6	143 1/2" [3645]	140" [3556]	405	525

*Dimensions not to be used for construction*



**Western**  
9109 SE 64th Ave.  
Portland, OR 97206  
503.774.7342  
800.715.8820  
FAX 503.774.2550

**Central**  
1325 Remington Rd.  
Suite T  
Schaumburg, IL 60173  
847.301.6890  
FAX 503.774.2550

**Eastern**  
10129 Piper Lane  
Bristow, VA 20136  
703.257.1660  
800.825.8820  
FAX 703.330.7940



**proflow** sanitary  
S E R I E S